



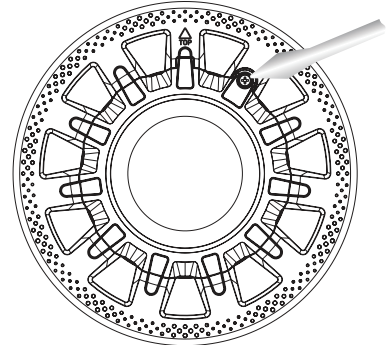
LIGHT REMOVAL

TOOLS REQUIRED

- Flat-blade screw driver

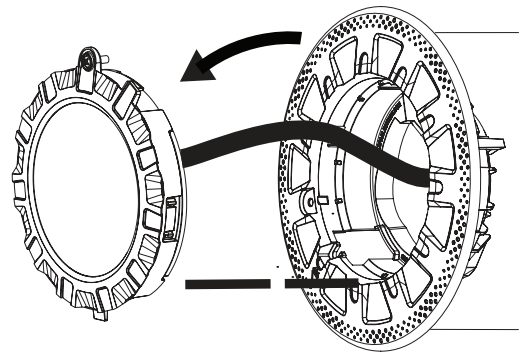
1: DETACH THE LIGHT ASSEMBLY

USE A SCREWDRIVER TO LOOSEN THE CAPTIVE SCREW



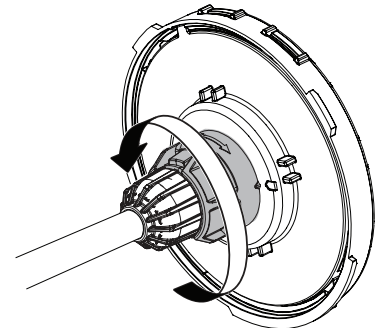
2: PULL OUT LIGHT ASSEMBLY

PULL THE LIGHT ASSEMBLY FORWARD AND UP SO IT LIFTS OFF THE TAB AT BASE



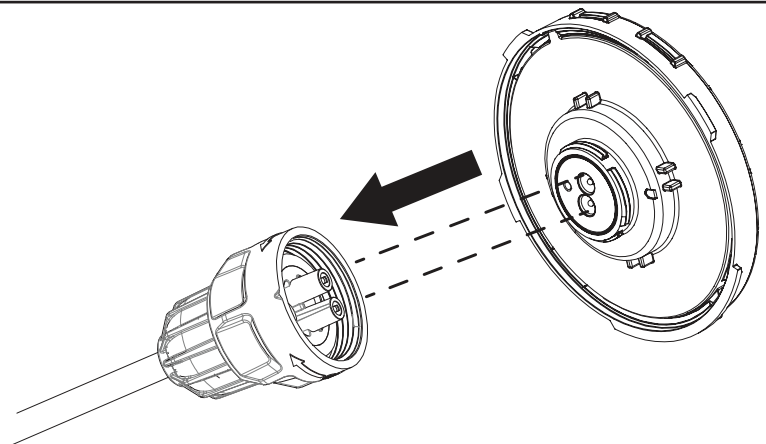
3: UNLOCK THE PLUG

UNSCREW PLUG COLLAR COUNTER-CLOCKWISE UNTIL IT IS FREE SPINNING



4: DISCONNECT THE TERMINALS

DISCONNECT LIGHT ASSEMBLY FROM PLUG BY PULLING APART



PRODUCT SUPPORT & INFORMATION

For the most up to date installation information and contact information for assistance in your region, please visit www.spaelectrics.com

Spa Electrics®

www.spaelectrics.com |

Toll Free: 1800 708 5545

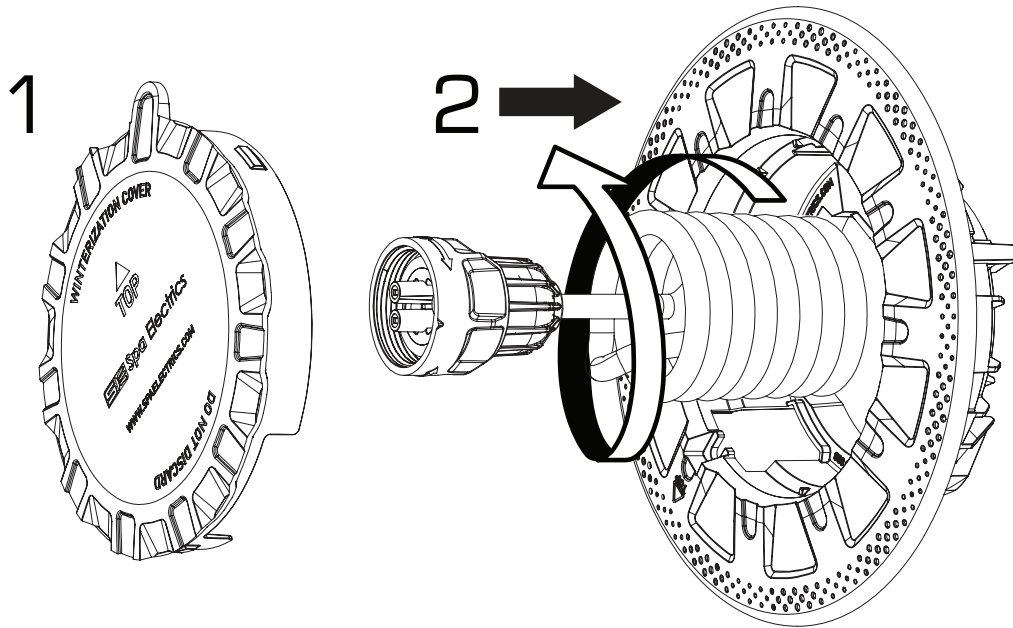
Email: info@spaelectrics.com



WINTERIZATION COVER ATTACHMENT

1: CONNECT WINTERIZATION CAP

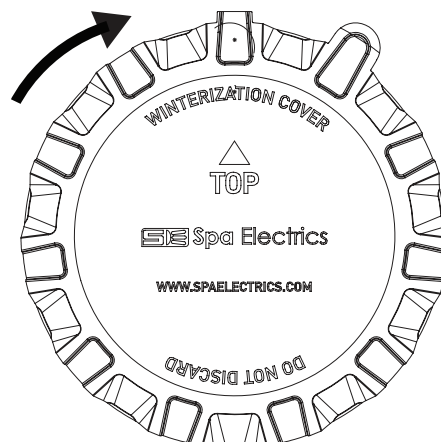
ALIGN TERMINAL PINS ON PLUG WITH TERMINAL PINS ON BACK OF WINTERIZATION COVER AND FIRMLY ASSEMBLE PLUG TO COVER



2: COIL CABLE BACK INTO NICHE

3: LOCK ON WINTERIZATION CAP

PLACE WINTERIZATION COVER ONTO CLAMP RING AT 10 O'CLOCK AND TURN CLOCKWISE TO 12 O'CLOCK TO LOCK INTO PLACE



PRODUCT SUPPORT & INFORMATION

For the most up to date installation information and contact information for assistance in your region, please visit www.spaelectrics.com

SSE Spa Electrics®

www.spaelectrics.com |   

Toll Free: 1800 708 5545

Email: info@spaelectrics.com